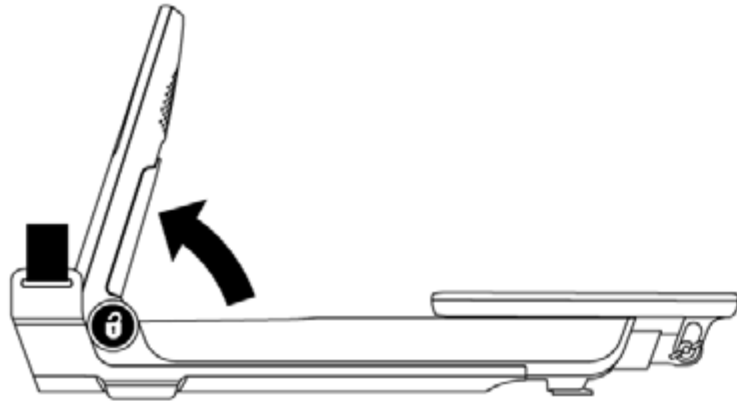
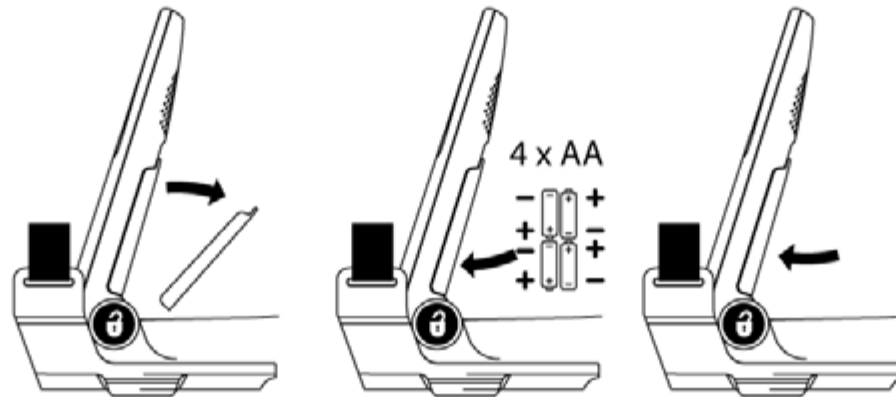


DETECTOR SET UP

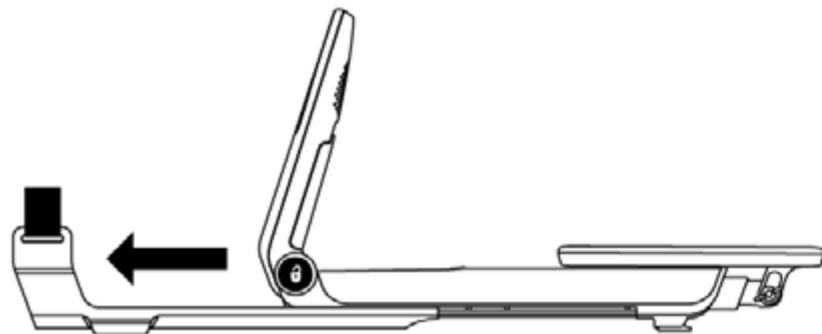
STEP 1. Lift the handle.



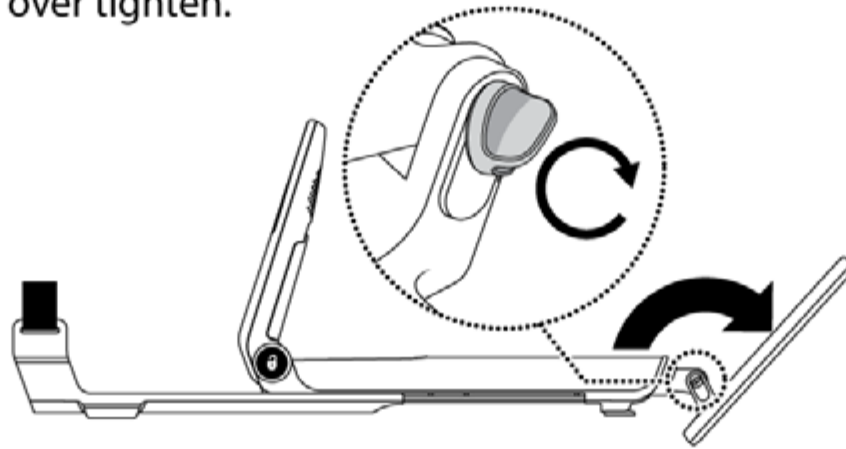
STEP 2. Insert 4 x 1.5V AA (LR6) batteries (not included).



STEP 3. Slide out the armrest to desired length (typically just under your elbow).



STEP 4. Fold out the search coil to detect parallel with the ground (Refer to 'Detecting Basics'). Tighten the nut to fix the coil position. Be careful not to over tighten.

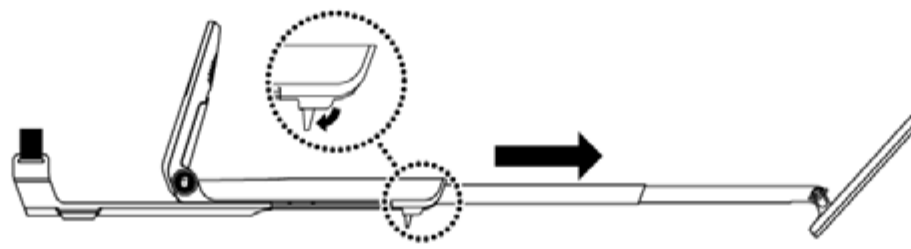


STEP 5. Fully extend the lower shaft until you hear it click into place.

⚠ To retract shaft, firmly tap on the base of the coil.

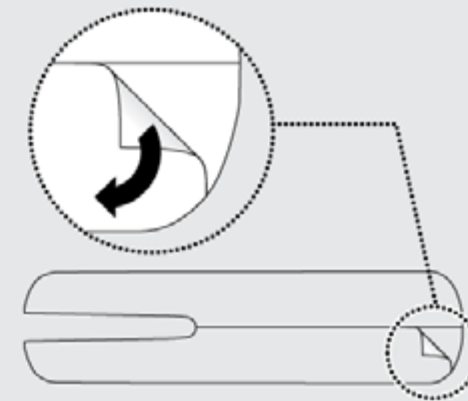


STEP 6. Release the camlock lever to adjust the upper shaft to desired length, for your height (Refer to 'Detecting Basics'). Close the camlock lever to lock into position.

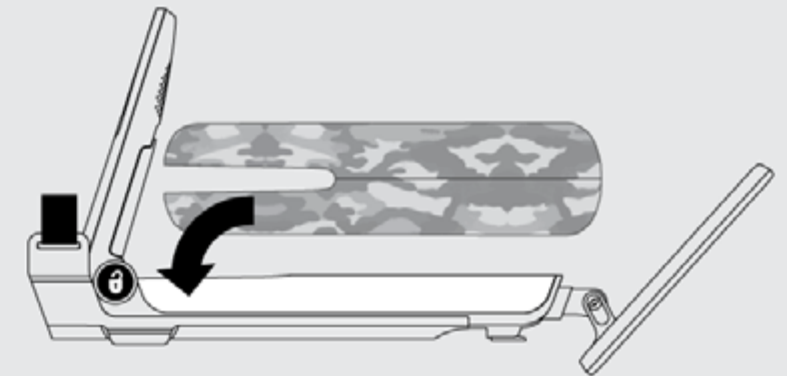


SKIN APPLICATION

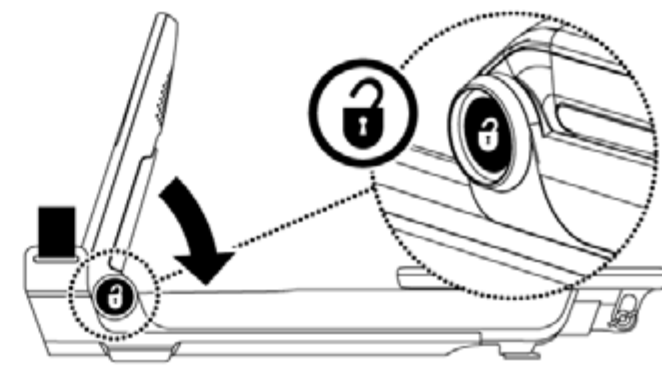
STEP 1. There are two skins provided. To apply, simply peel backing paper from selected skin.



STEP 2. Then apply selected skin to body of detector as shown.



⚠ To release handle, press and hold down both unlock buttons while folding handle flat. (failure to release handle correctly will result in damage).

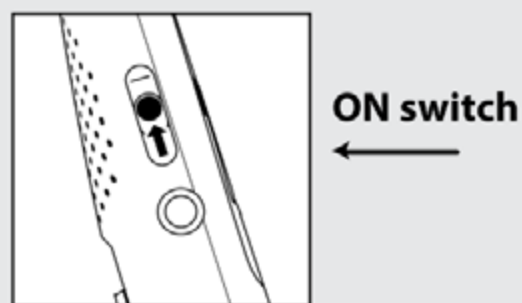


DETECTING BASICS

QUICK START GUIDE

STEP 1. POWER ON

Switch your detector on.
The LCD will light up with several icons.



STEP 2. BEGIN DETECTING

Sweep the coil over the ground in a side-to-side motion.
The detector will light up and beep when a metal object is found.



SWEEP LEVEL Keep the coil 1–2 inches (2–3 cm) above and parallel to the ground at all times.



SPEED Sweep the coil over the ground in a side-to-side motion, an average sweep speed is 1–2 seconds from left to right.



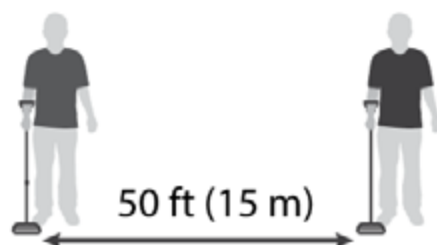
OVERLAP SWEEP Slightly overlap the previous sweep to ensure full ground coverage.



ITEM FOUND The detector will light up and beep when a target is discovered.



ADJUSTMENT The detector should be straight with your forearm and feel light and comfortable when you pick it up.



SPACE Recommended distance is 50 feet (15 m) apart when multiple users are scanning an area.

TREASURE VIEW (GO-FIND 44/66 only)

Treasure View LEDs light up when a metal object has been detected. As you get closer to the target, more LEDs illuminate.

RED indicates an iron metal object (possibly trash).

GREEN indicates a non-iron metal object (possibly treasure).

ORANGE indicates Pinpoint mode for all metal objects.



LEDs will illuminate from left to right when Pinpoint is off.




LEDs will illuminate towards the center when Pinpoint is on. This helps identify the exact location of the object.





ICON DESCRIPTIONS


When a metal object is detected, the corresponding icon will flash on the control panel to indicate the target type. If the icon is turned off (not visible) then these object types will not be detected.



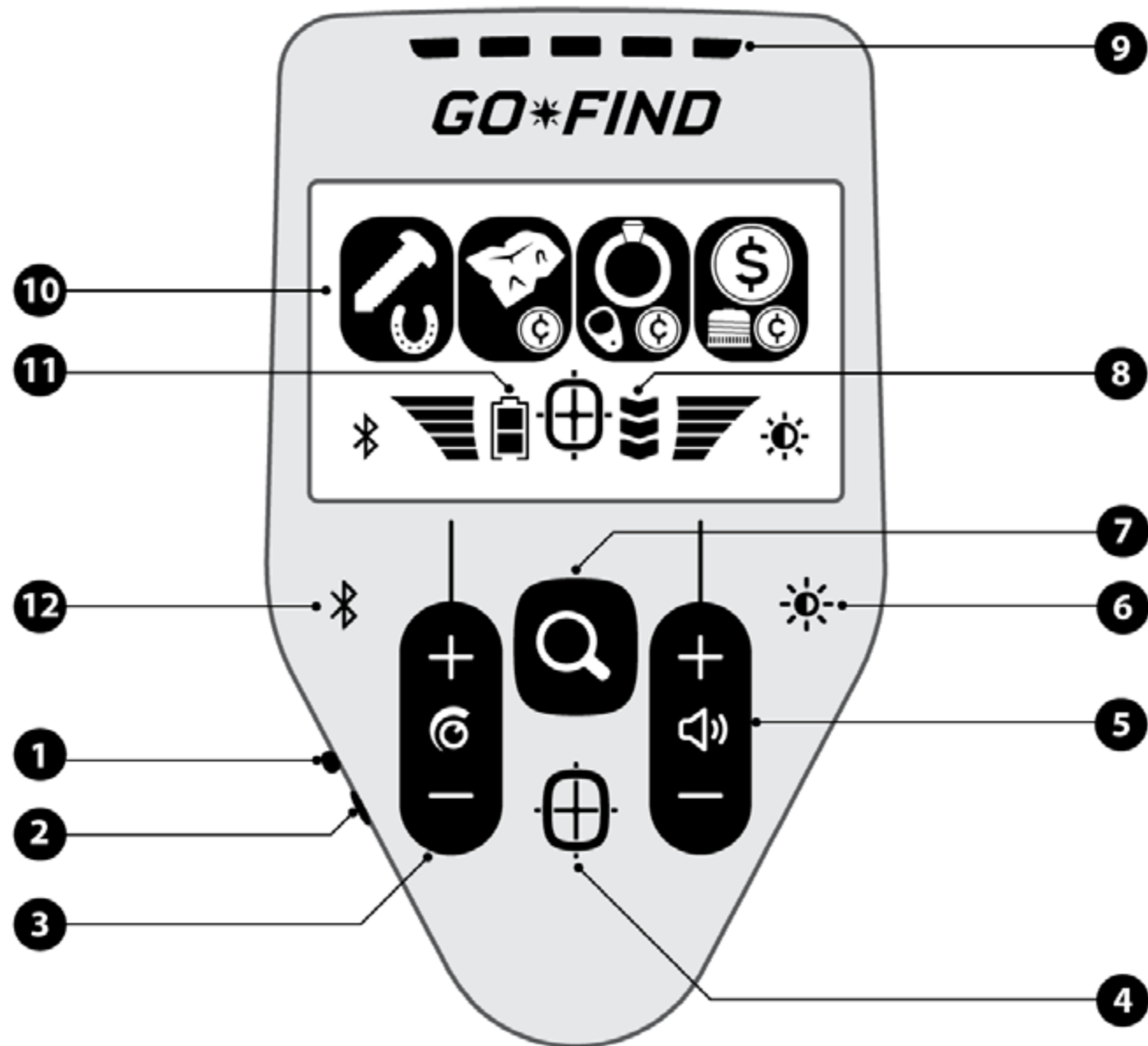
 Iron objects, nails and horseshoes.

 Rings, pull tabs and lower value coins.

 Aluminium foil and lower value coins.

 Low and high value coins and screw caps.

CONTROL PANEL



1. POWER SWITCH (ON/OFF)

2. EAR BUDS OUTPUT

3. SENSITIVITY

Increase for more detecting depth. You may need to decrease this if there is high noise interference or false signals.

4. PINPOINT (GO-FIND 44/66 only)

Determine the exact location of a target.

5. VOLUME

6. BACKLIGHT (GO-FIND 44/66 only)

7. FIND MODE

Detect and reject metal objects.

8. DEPTH INDICATION

Shallow | Medium | Deep

9. TREASURE VIEW LED

Red and green LEDs help you quickly identify treasure from trash. (GO-FIND 44/66 only)

10. FIND ICONS (× 4)

11. BATTERY LEVEL

12. BLUETOOTH (GO-FIND 44/66 only)

AUDIO OUTPUT

1/8" connector with speaker at rear.

FIND MODES

FIND modes allow you to search for specific groups of metal objects by accepting or rejecting detection. No need to dig the trash; just the treasure!

Cycle through the different modes using the Find button.



GO-FIND 22	GO-FIND 44	GO-FIND 66
Select from 2 find modes:	Select from 3 find modes:	Select from 4 find modes:
1.	1.	1.
2.	2.	2.
	3.	3.
		4.

DETECTOR SOUNDS

The detector beeps when an object is detected. This sound can be heard through the detector speaker or through ear buds/headphones connected to the audio output socket (refer to control panel diagram).

GO-FIND 22	GO-FIND 44	GO-FIND 66
2 different audio tones:	3 different audio tones:	4 different audio tones:
LOW HIGH	LOW MID 1 HIGH	LOW MID 1 MID 2 HIGH

LOW TONE: Iron targets (such as nails) produce the lowest tone.

MID 1 TONE (GO-FIND 44/66 ONLY): Less valuable metals produce a lower medium tone.

MID 2 TONE (GO-FIND 66 ONLY): Higher value metals produce a higher medium tone.

HIGH TONE: Silver and copper targets produce the highest tone.

DOWNLOAD APP

www.itunes.com | play.google.com



NOTE:

GO-FIND App works with **GO-FIND 44/66** only.
Pro App FREE with **GO-FIND 66** only.

BLUETOOTH SMART COMPATIBLE

GO-FIND 44/66 are BLUETOOTH SMART compatible with iOS 8 and Android 4.3 mobile operating systems, and above.

WARRANTY TERMS

This product has a 2 year limited warranty from the time of purchase. Please refer to www.minelab.com for further warranty information.

COMPLIANCE

Information to the User (FCC Part 15.105)

NOTE: Class B Devices

This equipment has been tested and found to comply with the limits for a Class B digital device, pursuant to part 15 of the FCC Rules. These limits are designed to provide reasonable protection against harmful interference in a residential installation.

This equipment generates, uses and can radiate radio frequency energy and, if not installed and used in accordance with the instructions, may cause harmful interference to radio communications.

North & South America

Minelab Americas Inc

+1 630 401 8150

info@minelabamericas.com

Asia Pacific

Minelab Electronics Pty Ltd

+61 8 8238 0888

minelab@minelab.com.au

www.minelab.com

Minelab® and GO-FIND® are trademarks of Minelab Electronics Pty. Ltd. Images and graphics are for illustration purposes only; product configuration and specifications may vary from those shown.

CODE OF ETHICS

1. Respect the rights and property of others.
2. Observe all laws, whether national, state or local.
3. Never destroy historical or archaeological treasures.
4. Leave the land and vegetation as it was.
5. Always obtain permission before searching sites.
6. Always fill in your holes after digging.

However, there is no guarantee that interference will not occur in a particular installation. If this equipment does cause harmful interference to radio or television reception, which can be determined by turning the equipment off and on, the user is encouraged to try to correct the interference by one or more of the following measures:

- Reorient or relocate the receiving antenna
- Increase the separation between the equipment and receiver
- Connect the equipment into an outlet on a circuit different from that to which the receiver is connected
- Consult the dealer or an experienced radio/TV technician for help

Warning: Any changes or modifications not expressly approved by Minelab Electronics could void the user's authority to operate this equipment.

Europe

Minelab International Ltd

+353 21 423 2352

minelab@minelab.ie

Middle East & Africa

Minelab MEA General Trading LLC

T: +971 4 254 9995

minelab@minelab.ae



GO*FIND

GETTING STARTED GUIDE



GO WILD. FIND ADVENTURE.

